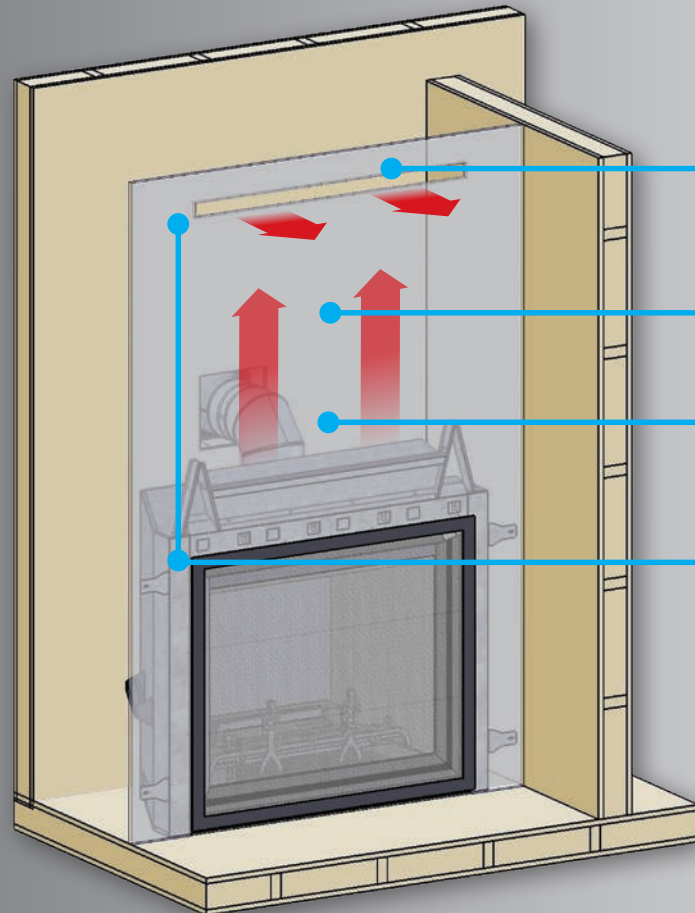


Cool Surface System

INCLUDED WITH THE RZ41 & G SERIES



Convective heat that rises from the fireplace is captured in the chase and channeled through the vent using the Cool Surface System.

The Cool Surface System channels rising heat behind the wall.

Allows up to 1" thick combustible material (ie: drywall) to be used.

The Cool Surface System and vent bezel are included with every G Series unit and the RZ41.

We understand that surface temperatures are an important factor when considering how a fireplace will affect HDTVs or any framed decorations that might be mounted above. The Cool Surface System offers you peace of mind.

We designed this system to help channel excess rising heat up behind the wall and safely push it through an included vent bezel bypassing any valuables above your fireplace.

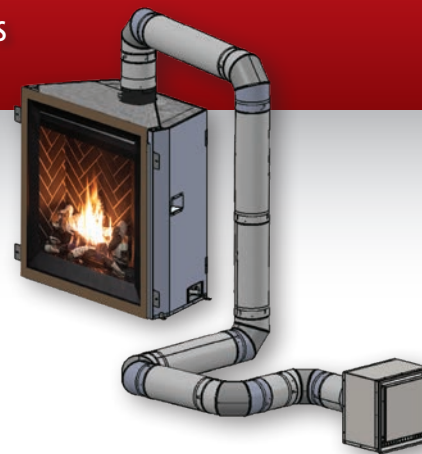
Rising heat is evenly vented forward into the living space through the included bezel

Rising heat is channeled safely past valuable wall mounted items such as a TV

Heat radiates forward from the fireplace window

Power Vent Kit OPTIONAL FOR THE RZ41 & G SERIES

- A minimum venting run of 10 feet
- A maximum venting run of 110 feet
- Max of 6 elbows in vent configuration
- Venting can run downward 4' below the unit
- Flush mount (paintable) termination
- All stoves EXCEPT the G39 require part #50-2321 (Or you can order part #58DVA-X46 directly from DuraVent) vent reducer (5 x 8" vent reduced to 4 x 6 5/8" vent)
- Utilizes smaller 4 x 6 5/8" venting
- Run Quiet Fan System (noise reduction)



Fireplace Design Elements

Q1 FIREPLACE



MODERN SURROUND



MINIMAL SURROUND



4-SIDED MINIMAL SURROUND

Q2 FIREPLACE



SLIM FACE
Included



FORGEWORKS FACE
Midnight Bronze

Q3 FIREPLACE



SLIM FACE
Included



FORGEWORKS FACE
Midnight Bronze

G SERIES FIREPLACES



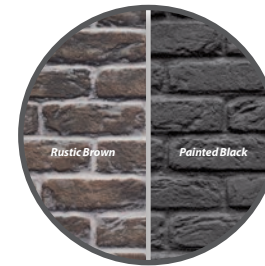
SLIM SURROUND - PAINTED BLACK (G42 pictured)
Included with the G39, G42, G50, and RZ41



FORGEWORKS SURROUND - MIDNIGHT BRONZE (G42 pictured)
Available for the G39, G42, and G50

Fireplace Design Elements

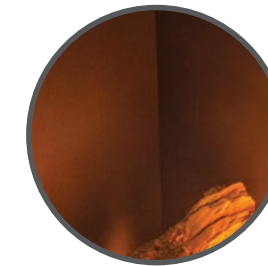
FIREBOX LINERS



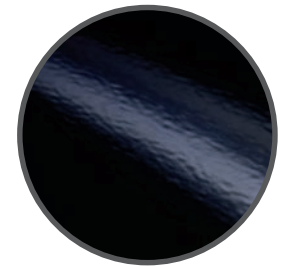
CLASSIC BRICK LINER
Q1, Q2, Q3



RUSTIC BRICK LINER
G39, G42, G50, RZ41



PAINTED STEEL LINER
Q1, Q2, Q3, G39, G42, G50, RZ41



BLACK ENAMELED STEEL LINER
Q1, Q2, Q3, G39, G42, G50, RZ41



LEDGESTONE LINER
Q1, Q3, G39, G42, G50, RZ41



HERRINGBONE LINER
Q2, G39, G42, G50, RZ41

BURNER STYLES



CLASSIC LOG SET
Q1



TRADITIONAL LOG SET
Q2, Q3, G39, G42, G50



BIRCH LOG SET
G39, G42, G50



DRIFTWOOD LOG SET
Q2, G39, G42, G50



TRADITIONAL "FIRE-UNDER-LOG"
RZ41



BIRCH "FIRE-UNDER-LOG"
RZ41



GLASS MEDIA
Q2, G39, G42, G50

Fireplace Design Elements

Fireplace Surrounds

	Q1		Q2		Q3		RZ41		G39		G42		G50	
	GAS FIREPLACE		GAS FIREPLACE		GAS FIREPLACE		GAS FIREPLACE		GAS FIREPLACE		GAS FIREPLACE		GAS FIREPLACE	
	HEIGHT	WIDTH	HEIGHT	WIDTH	HEIGHT	WIDTH	HEIGHT	WIDTH	HEIGHT	WIDTH	HEIGHT	WIDTH	HEIGHT	WIDTH
Minimal Surround	26 3/8"	22 3/4"												
Minimal Surround Four-Sided	27 1/2"	24 1/4"												
Modern Surround*	30"	30"												
Slim Face			28 3/4"	32 3/4"	32"	32 3/4"	33 1/4"	37 3/4"	33 1/4"	37 3/4"	37"	42 1/2"	39"	50 1/2"
Forgeworks Face			29 1/4"	33 7/8"	32 7/8"	35 7/8"			33 3/4"	38 3/4"	37"	42 1/2"	39"	50 1/2"

Firebox Liners

	Q1		Q2		Q3		RZ41		G39		G42		G50	
	GAS FIREPLACE		GAS FIREPLACE		GAS FIREPLACE		GAS FIREPLACE		GAS FIREPLACE		GAS FIREPLACE		GAS FIREPLACE	
Classic Brick Liner	Optional	Optional	Optional											
Rustic Brick Liner							Optional	Optional	Optional	Optional				
Painted Steel Liner	Included						Included	Included	Included	Included				
Black Enameled Steel Liner	Optional	Optional (included with Q2G)	Optional				Optional	Optional	Optional	Optional	Optional	Optional		
Ledgestone Liner	Optional		Optional				Optional	Optional	Optional	Optional	Optional	Optional		
Herringbone Liner		Optional					Optional	Optional	Optional	Optional	Optional	Optional		

Burner Variations

	Q1		Q2		Q3		RZ41		G39		G42		G50	
	GAS FIREPLACE		GAS FIREPLACE		GAS FIREPLACE		GAS FIREPLACE		GAS FIREPLACE		GAS FIREPLACE		GAS FIREPLACE	
Classic Log Set	Included													
Traditional Log Set		Included	Included				Optional	Optional	Optional					
Birch Log Set							Optional	Optional	Optional					
Driftwood Log Set		Optional					Optional	Optional	Optional					
Traditional Log Set - "Fire-Under-Log"							Optional							
Birch Log Set - "Fire-Under-Log"							Optional							
Glass Media		Top vent only					Optional	Optional	Optional					

Additional Features

	Q1		Q2		Q3		RZ41		G39		G42		G50	
	GAS FIREPLACE		GAS FIREPLACE		GAS FIREPLACE		GAS FIREPLACE		GAS FIREPLACE		GAS FIREPLACE		GAS FIREPLACE	
Run Quiet Fan System	Included	Included	Included				Included	Included	Included	Included	Included	Included		
Remote Control	Included	Included	Included				Included	Included	Included	Included	Included	Included		
Cool Surface System (HDK)							Built-in	Built-in	Built-in	Built-in				
Power Vent Kit							Optional	Optional	Optional	Optional				
Ceramic Glass	Included	Included	Included				Included	Optional	Included	Included	Included			
Ember Bed Lighting (Log IPI Only)							Included	Included w/IPI	Included w/IPI	Included w/IPI				

Fireplace Specifications

Performance

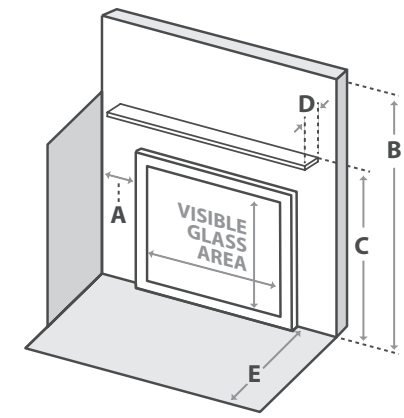
	Q1		Q2		Q3		RZ41		G39		G42		G50	
	GAS FIREPLACE		GAS FIREPLACE		GAS FIREPLACE		GAS FIREPLACE		GAS FIREPLACE		GAS FIREPLACE		GAS FIREPLACE	
BTU Max input - NG / LP	20,000 / 18,500		24,000 / 20,000		38,000 / 38,000		40,000 / 38,000		30,000 / 30,000		40,000 / 40,000		48,000 / 48,000	
Turn Down*	33%		33%		33%		33%		33%		33%		67.5% w/Split flow	
IPI	Available		Available		Available		Standard		Available		Available		Standard	
Efficiency - Steady State**	76.1%		70.7%		71.6%		69.2%		71.37%		72.1%		75.7%	
Efficiency - FE rating (P4)†	74.5%		69.3%		67.3%		66.2%		69.8%		69.6%		72.8%	
Visible Dimensions	20" x 25 1/4"		33 1/4" x 29 5/8"		33" x 33"		38 1/4" x 34"		38 1/4" x 34"		43" x 38"		51" x 40"	
Visible Glass Area	18 3/4" x 16 5/8"		21 1/4" x 26"		24 1/4" x 26"		25 5/8" x 31 3/4"		24" x 30"		26 7/8" x 34"		28" x 41 3/8"	
Run-Quiet Fan System	150 CFM		150 CFM		150 CFM		130 CFM		130 CFM		130 CFM		130 CFM	

Installation

	Q1			Q2			Q3			RZ41			G39			G42			G50		
	GAS FIREPLACE			GAS FIREPLACE			GAS FIREPLACE			GAS FIREPLACE			GAS FIREPLACE			GAS FIREPLACE			GAS FIREPLACE		
Framing Dims (w/Screen)	H	W	D	H	W	D	H	W	D	H	W	D	H	W	D	H	W	D	H	W	D
Venting Collar Size	4" x 6 5/8"			4" x 6 5/8"			4" x 6 5/8"			5" x 8" Rigid			4" x 7" Flex & 4" x 6 5/8" Rigid			5" x 8" Flex & 5" x 8" Rigid			5" x 8" Flex & 5" x 8" Rigid		
Venting Orientation	Top / Rear			Top / Rear			Top / Rear			Top			Top			Top			Top		
LP Conversion Kit (IPI)	Optional			Optional			Optional			Optional			Optional			Optional			Optional		
Weight (Average weight inc. liner & media)	110 lbs			187 lbs			275 lbs			425 lbs			300 lbs			414 lbs			489 lbs		

Clearance to Combustibles

	Q1	Q2	Q3	RZ41	G39	G42	G50
A - Side of unit to side wall	7"	5 1/4"	9 3/4"	1"	7"	7"	7"
B - Minimum clearance to chase ceiling ††	35 1/4" 41"	43 1/2" 54"	43 1/2" 82"	79 1/2"	72"	78"	78"
C - Minimum clearance to mantle height	35 1/4"	42"	43 1/2"	45 1/4"	45"	45 1/4"	48"
D - Maximum mantle depth @ Min. Height	2"	2"	2"	4"	4"	4"	4"
E - Front of door to edge of floor protection	12"	0"	0"	0"	0"	0"	0"



* Turn down based on P4 efficiencies on low.

** Steady state rating based on conventional venting configuration.

† Efficiency based on the P4-15 measured efficiency rating of the IPI models

†† Q1, Q2, & Q3, Rear vent and top vent