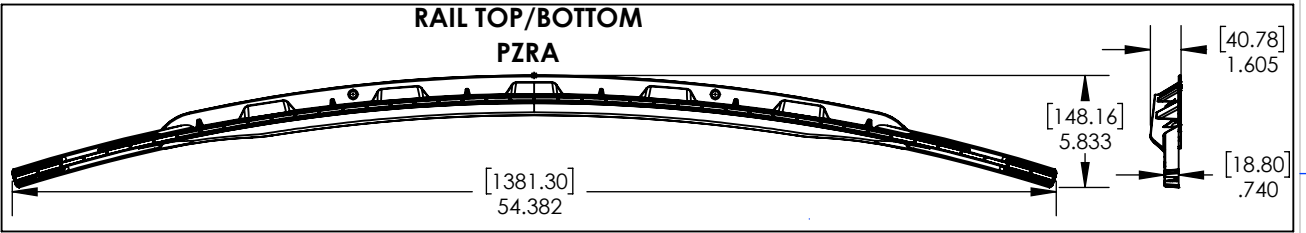
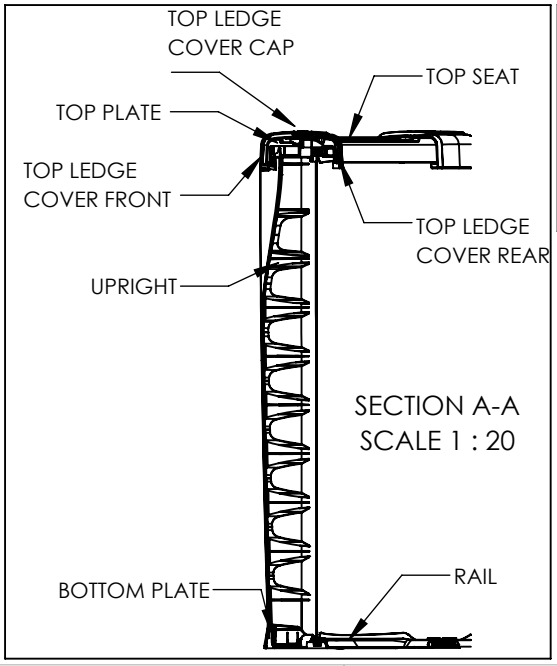


SWIMMING POOL INFORMATION		
POOL DIMENSION		UPRIGHT QTY PER POOL
POOL SIZE (D)(ft/m)	POOL RADIUS (ft/m)	
12'(3.66m)	6'(1.83m)	8
15'(4.57m)	7'6"(2.32m)	10
18'(5.5m)	9'(2.74m)	12
21'(6.4m)	10'6"(3.23m)	14
24'(7.32m)	12'(3.66m)	16
27'(7.63m)	13'6"(3.815m)	18
30'(9.14m)	15'(4.57m)	20
33'(10.06m)	16'6"(5.03)	22
POOL HEIGHT (H)		WATER LEVEL
52"		48"
54"		50"



TOLÉRANCE GÉNÉRALE / GENERAL TOLERANCE	
PROCÉDÉ / PROCESS	DEC.
ANGLE	UNITS: INCH(MM)
REF. SCALE	

COPYRIGHT
LE PRÉSENT DOCUMENT ET TOUTE INFORMATION AFFÉRENTE SONT LA PROPRIÉTÉ UNIQUE DES ÉQUIPEMENTS DE PISCINE CARVIN. TOUTE RÉPRODUCTION EN TOUT OU EN PARTIE EST INTERDITE SANS L'AUTORISATION ÉCRITE DU CLIENT. ALL INFORMATION CONTAINED OR PERTAINING TO THIS DOCUMENT IS THE SOLE PROPERTY OF CARVIN POOL EQUIPMENT. ANY REPRODUCTION IN PART OR AS A WHOLE WITHOUT THE WRITTEN AUTHORIZATION OF THE CLIENT IS FORBIDDEN.

CARVIN 4000 Boul. Casavant Ouest, Saint-Hyacinthe, (Quebec) Canada, J2S 9E3
ÉQUIPEMENTS DE PISCINE
P O O L E Q U I P M E N T S T (450) 774-6953 F (450) 774-4970

PROJET / PROJECT: **COMPLIANCE TO APSP-4"**

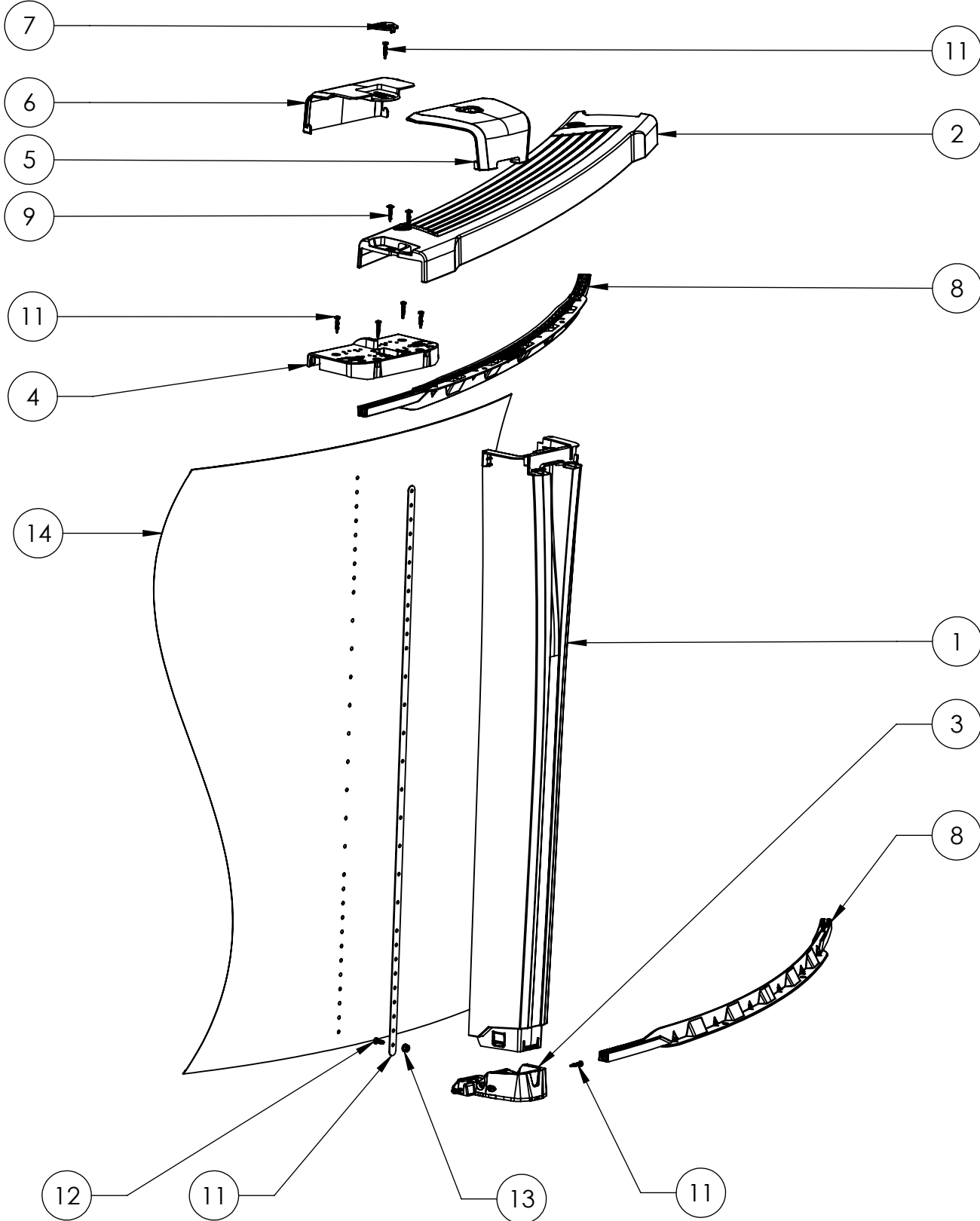
DESCRIPTION: **DIAMOND SERIES SWIMMING POOLS 52"-54"**

NO. PIÈCE/ PARTNO: N/A	VOLUME: N/A
MATÉRIAU / MATERIAL: N/A	POIDS / WEIGHT: N/A
FINITION / FINISH: N/A	REV:2

DESS. PAR / DRAW BY: JRUAH DATE: 2020-05-04
APP. PAR / APP. BY: CVIENS DATE: 2020-05-05

DWG SIZE **B** ECHELLE / SCALE: 1:6 PAGE / SHEET 1 OF 2

REVISIONS			
REV.	DESCRIPTION	DATE	APPROUVE
0	INITIAL RELEASE	2020-05-04	JROUAH
1	GENERAL UPDATE	2020-09-22	BLAMBERT
2	GUARDIAN SKIMMER "GS" WALL P/N WERE ADDED	2021-02-19	BLAMBERT



ITEM #	PART CODE	DESCRIPTION	Qty Per Size							
			12'	15'	18'	21'	24'	27'	30'	33'
1	PDU52	PDU54	UPRIGHT							
2	PDL		TOP SEAT							
3	PDPB		BOTTOM PLATE							
4	PDPT		TOP PLATE							
5	PDCF		TOP LEDGE COVER FRONT							
6	PDCB		TOP LEDGE COVER BACK							
7	PDCC		TOP LEDGE COVER CAP							
8	PZRA15		RAIL 15'							
	PZRA24		RAIL 24'							
	PZRA30		RAIL 30'							
9	14455025		SELF-TAPPING SCREW WITH LOCKING WASHER #12-14X1,25 SS316							
10	14455032		PAN HEAD #3 SCREW #12-14 X 1,25" SS316							
11	2581536		WALLBRACKET SS316							
12	14172209		PAN HEAD 1/4-20X0,75" SS316							
13	14072620		FLANGED NUT 1/4-20 5/16 SS316							

POOL WALL											
ITEM #	52"	54"	POOL SIZE	12'	15'	18'	21'	24'	27'	30'	33'
14	PZWS5212	PZWS5412	12'	1							
	PZWS5212GS	PZWS5412GS		1							
14	PZWS5215	PZWS5415	15'		1						
	PZWS5215GS	PZWS5415 GS			1						
14	PZWS5218	PZWS5418	18'			1					
	PZWS5218GS	PZWS5418GS				1					
14	PZWS5221	PZWS5421	21'				1				
	PZWS5221GS	PZWS5421GS					1				
14	PZWS5224	PZWS5424	24'					1			
	PZWS5224GS	PZWS5424GS						1			
14	PZWS5227	PZWS5427	27'						1		
	PZWS5227GS	PZWS5427GS							1		
14	PZWS5230	PZWS5430	30'							1	
	PZWS5230GS	PZWS5430GS								1	
14	PZWS5233	PZWS5433	33'								1
	PZWS5233GS	PZWS5433GS									1

TOLÉRANCE GÉNÉRALE / GENERAL TOLERANCE

PROCÉDÉ / PROCESS: _____

DEC: _____

ANGLE: _____

UNITS: INCH (MM)

REF. SCALE: _____

COPYRIGHT

LE PRÉSENT DOCUMENT ET TOUTE INFORMATION AFFÉRENTE SONT LA PROPRIÉTÉ UNIQUE DES ÉQUIPEMENTS DE PISCINE CARVIN. TOUTE REPRODUCTION EN TOUT OU EN PARTIE EST INTERDITE SANS L'AUTORISATION ÉCRITE DU CLIENT.

ALL INFORMATION CONTAINED OR PERTAINING TO THIS DOCUMENT IS THE SOLE PROPERTY OF CARVIN POOL EQUIPMENT. ANY REPRODUCTION IN PART OR AS A WHOLE WITHOUT THE WRITTEN AUTHORIZATION OF THE CLIENT IS FORBIDDEN.

CARVIN 4000 Boul. Casavant Ouest, Saint-Hyacinthe, (Quebec) Canada, J2S 9E3
ÉQUIPEMENTS DE PISCINE Québec, Canada, J2S 9E3
P O O L E Q U I P M E N T T (450) 774-6953 F (450) 774-4970

PROJET / PROJECT: **COMPLIANCE TO APSP-4"**

DESCRIPTION: **DIAMOND SERIES SWIMMING POOLS 52"-54"**

NO. PIÈCE / PARTNO: N/A VOLUME: N/A

MATÉRIAU / MATERIAL: N/A POIDS / WEIGHT: N/A

FINITION / FINISH: N/A **REV:2**

DESS. PAR / DRAW BY: JROUAH DATE: 2020-05-04

APP. PAR / APP. BY: CVIENS DATE: 2020-05-05

DWG SIZE: **B** ECHELLE / SCALE: 1:100 PAGE / SHEET: 2 OF 2